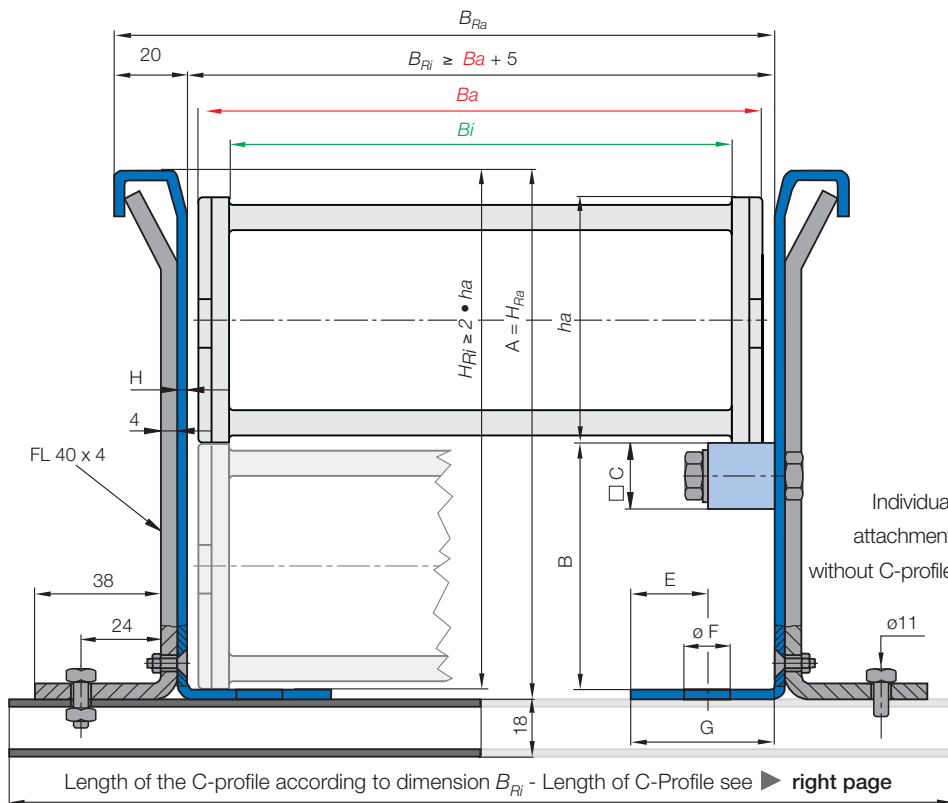


- Ba** = Outer E-Chain® width
- Bi** = Inner E-Chain® width
- ha** = E-Chain® outer height
- H_{Ri}** = Inner trough height
- H_{Ra}** = Outer trough height
- B_{Ri}** = Inner trough width ▶ depends on dim. **Ba**
- B_{Ra}** = Outer trough width
- n_{Mon}** = Number of installation sets (left/right)
- n_{Ri}** = Number of trough sets (left/right)
- ! **H_{Ri} ≥ 2 • ha**
- **B_{Ri} ≥ Ba + ≈ 5**
- = Guide trough
steel, galvanized
- = Glide bar
plastic, 2 m
- = Installation set
steel, galvanized
- = C-profile
steel, galvanized

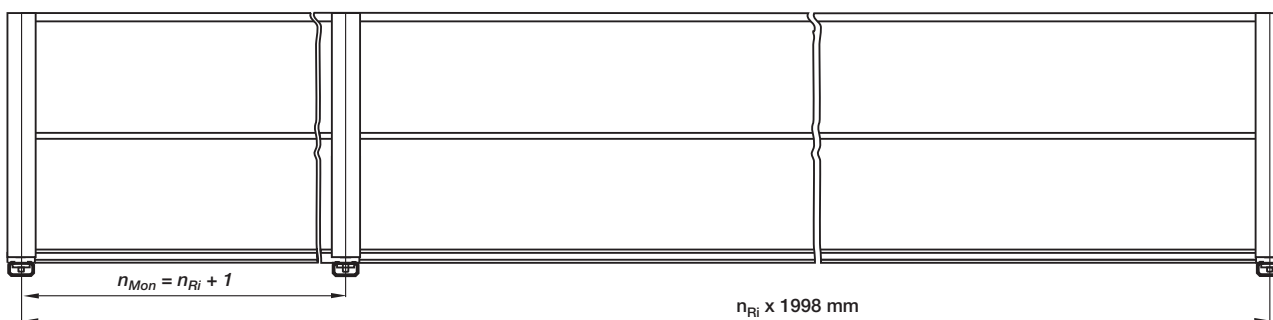


Dimensions of steel guide trough

Part No.	A=H _{Ra}	B	C	B _{Ri}	E	F	G	H	For E-Chain® Series
without/with glide bar	[mm]	[mm]	[mm]	[mm]	[mm]	[mm]	[mm]	[mm]	
92.30 / 92.31	70	34	20	*	12	09	26	2,0	2400/2450/2480/2500, 255, E6.29/R6.29
93.30 / 93.31	130	64	30	*	15	09	35	2,0	3400/3450/3480/3500, R68, E4.42/H4.42/R4.42, E6.52/R6.52
94.30 / 94.31	170	84	30	*	20	11	50	2,0	E4.56/H4.56/R4.56, 14040/14140/18840, 14240/14340, E6.62
95.30 / 95.31	100	50	20	*	15	11	35	2,0	2600/2650/2680/2700, R58
96.30 / 96.31	220	108	30	*	20	14	50	2,5	E4.80/H4.80/R4.80, 15050/15150/19850, E6.80/E6.80L
97.30 / 97.31	130	54	20	*	15	11	35	2,0	E4.32/H4.32/R4.32, E6.40
98.30 / 98.31	300	140	30	*	20	14	50	3,0	600/601/R608, 640, 1640/R1608
99.30 / 99.31	100	42	20	*	15	11	35	2,0	E4.28/R4.28

*Dimension B_{Ri} is shown on page "Length of C-Profile"

Principle sketch: Number of installation sets which have to be installed



Calculation - travel center mounted

Half travel length, rounded down to full 2 m sections = **X m** guide trough length without glide bars + **X m** guide trough length with glide bars + installation sets (number of trough pieces + 1)



Order example: Length of travel 30 m - Center mounted for Series 2400.07.... with B_{Ri} = 98

Guide trough-set of 2 trough side parts, without glide bars:

16 m Guide trough = 8 x 2 m sections (without glide bars) **Part No. 92.30**

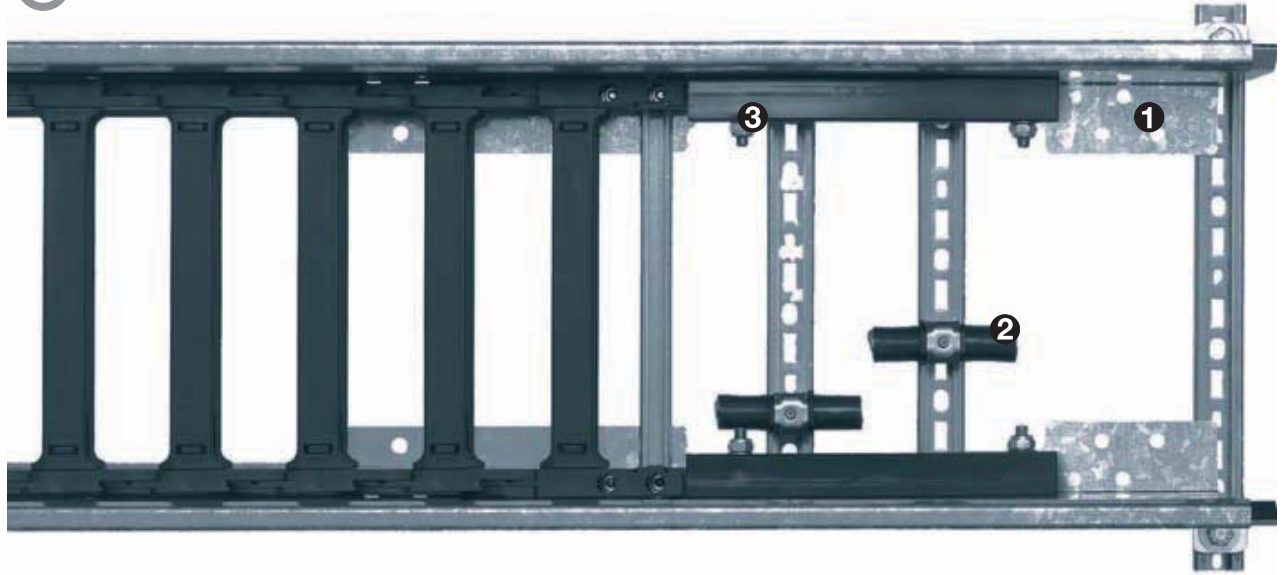
Guide trough-set of 2 trough side parts, with assembled glide bars:

16 m Guide trough = 8 x 2 m sections (with glide bars) **Part No. 92.31**

Installation sets complete (Guide trough-sets + 1)

17 Installation sets (with C-profile) **Part No. 92.50.200**



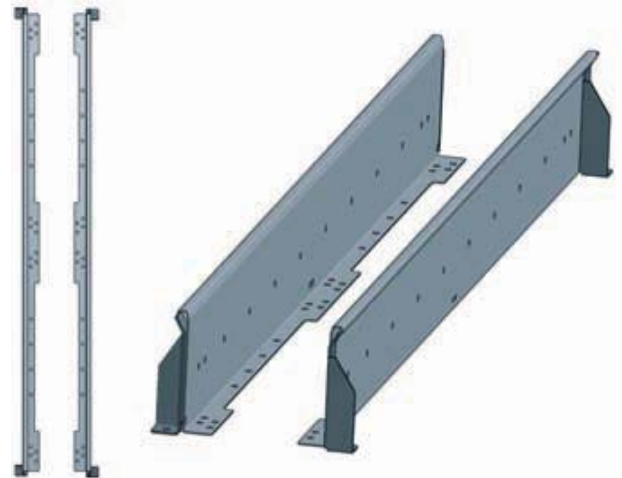


Fixed end module for steel guide troughs

Until now, the steel trough had to be modified on site to fit the mounting brackets at the stationary end of the E-Chain®. That is now history. With its prefabricated boreholes, the 2.000 mm long kit can be used for middle-feed, end-feed and opposed installation.

- ❶ Fast fixation of mounting brackets
thanks to prefabricated boreholes
- ❷ Fast installation of C-profile for strain relief
- ❸ Fast bolting of glide bars
- Available immediately for Part No.
93.80.01, 94.80.01 and 96.80.01

Industries: Power plants, coal conveyors, mining, composting plants, raw material storage, gipsumplants, etc.



Part No.	For Steel guide troughs	For Series
90.80.01	90.30 / 90.31	800, 840
92.80.01*	92.30 / 92.31	2500, 255, E6.29, R6.29
93.80.01	93.30 / 93.31	3500, R68, E4.42/H4.42/R4.42, E6.52, R6.52
94.80.01	94.30 / 94.31	E4.56/H4.56/R4.56, 14040/14140 /18840, 14240/14340, E6.62
95.80.01*	95.30 / 95.31	2700
96.80.01	96.30 / 96.31	E4.80/H4.80/R4.80, 15050/5150/19850, E6.80
97.80.01*	97.30 / 97.31	E4.32/H4.32/R4.32, E6.40, R6.40
98.80.01*	98.30 / 98.31	600/601/R608, 640, 1640/R1608
99.80.01*	99.30 / 99.31	E4.28/R4.28, E6.35

*available upon request - time of delivery 6 weeks after intake of order

